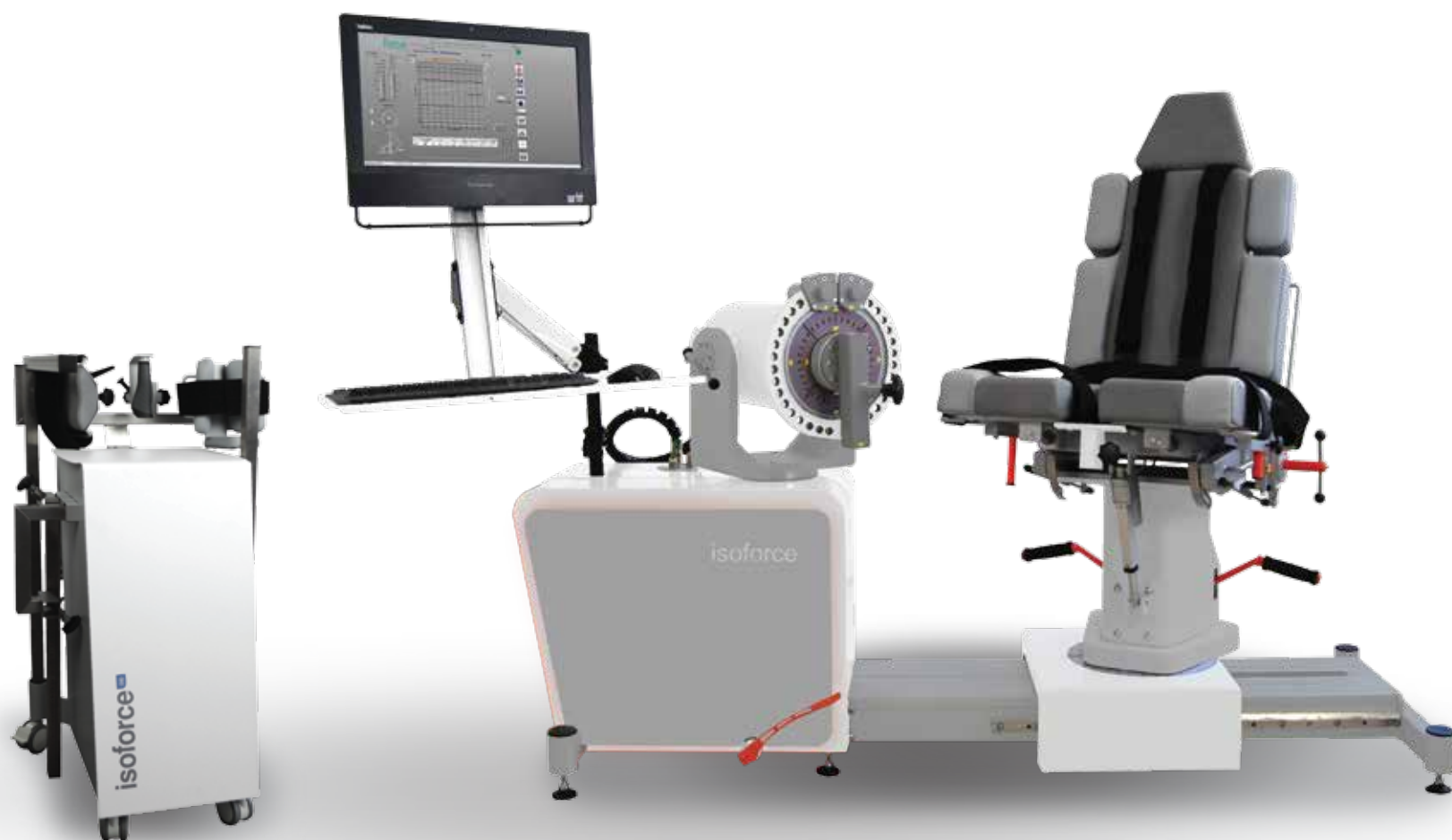


isoforce

Accessories



AD W1

AD S4

AD S3

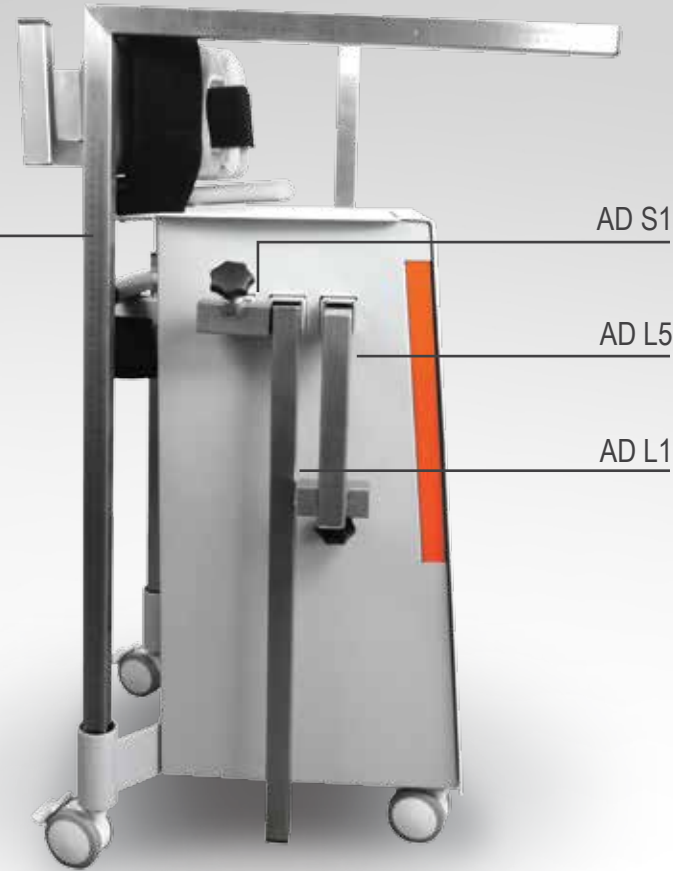


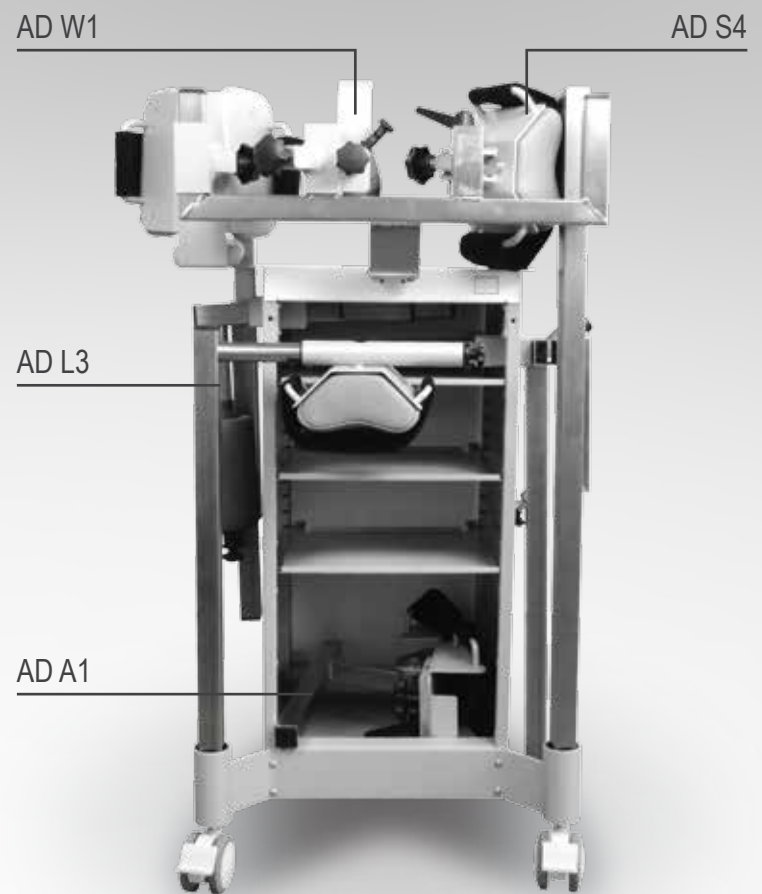
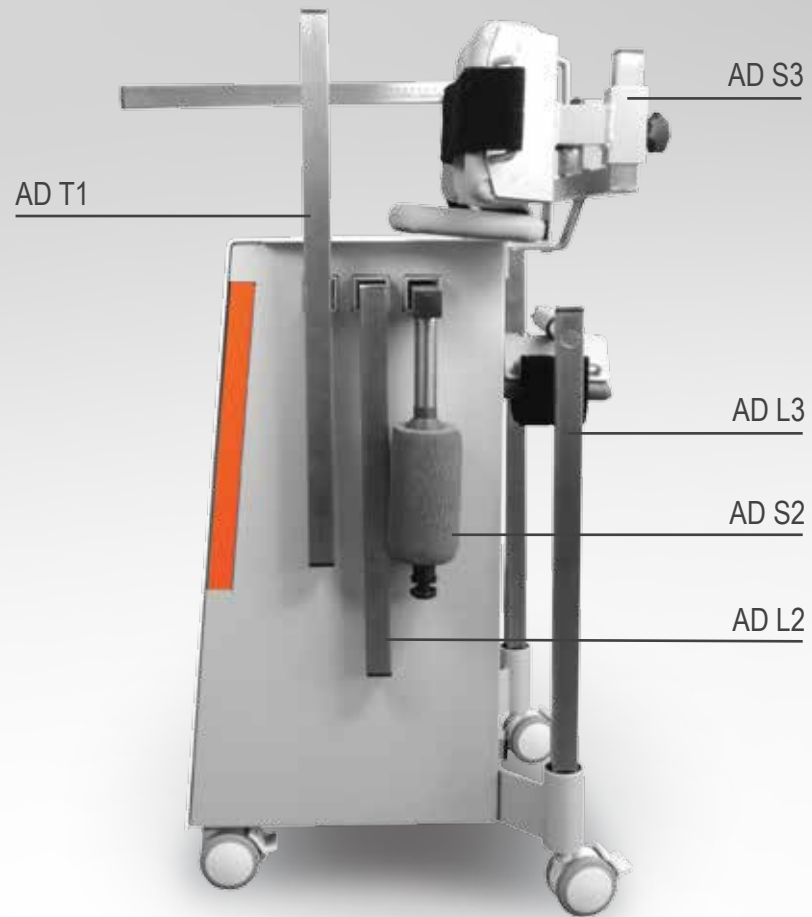
AD L4

AD S1

AD L5

AD L1





TUR Therapietechnik GmbH | Grubenstraße 20 | 18055 Rostock | Germany
Telephone: + 49 3303 5088 0 | Telefax: +49 3303 5088 11 | Mail: info@tur-web.com